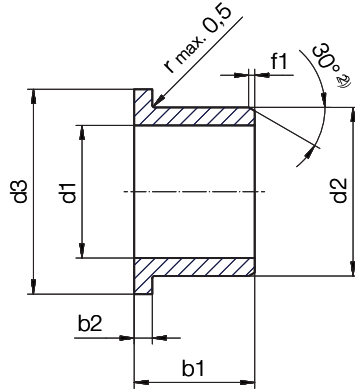


iglidur® J | 產品範圍

法蘭軸承 (型號 F)



²⁾ 厚度 < 1 mm : 導角 = 20°

倒角和 d1 的關係

d1 [mm]:	Ø 1-6	Ø 6-12	Ø 12-30	Ø > 30
f [mm]:	0.3	0.5	0.8	1.2

尺寸 [mm]

d1	d1- 公差 ³⁾	d2	d3 d13	b1 h13	b2 -0.14	產品型號	
3.0	+0.014	4.5	7.5	3.0	0.75	JFM-0304-03	
3.0		4.5	7.5	4.5	0.75	JFM-0304-045	
3.0		4.5	7.5	5.0	0.75	JFM-0304-05	
3.0	+0.020 +0.080	6.0	9.0	10.0	1.5	JFM-0306-10	
4.0		5.5	9.5	3.0	0.75	JFM-0405-03	
4.0	+0.020	5.5	9.5	6.0	0.75	JFM-0405-06	
5.0		6.0	10.0	5.0	0.5	JFM-0506-05	
5.0		7.0	11.0	3.0	1.0	JFM-0507-03	
5.0	+0.068	7.0	11.0	5.0	1.0	JFM-0507-05	
6.0		8.0	12.0	4.0	1.0	JFM-0608-04	
6.0	+0.030 +0.105	8.0	12.0	6.0	1.0	JFM-0608-06	
6.0		8.0	12.0	8.0	1.0	JFM-0608-08	
6.0		8.0	12.0	10.0	1.0	JFM-0608-10	
6.0		10.0	14.0	10.0	2.0	JFM-0610-10	
8.0	+0.025	10.0	15.0	3.8	1.0	JFM-0810-038	
8.0		10.0	15.0	5.0	1.0	JFM-0810-05	
8.0		10.0	15.0	6.0	1.0	JFM-0810-06	
8.0		10.0	15.0	7.0	1.0	JFM-0810-07	
8.0		10.0	15.0	8.0	1.0	JFM-0810-08	
8.0		10.0	15.0	9.5	1.0	JFM-0810-09	
8.0		+0.083	10.0	15.0	10.0	1.0	JFM-0810-10
8.0		10.0	12.5	10.0	1.0	JFM-0810125-10	
8.0	+0.032	10.0	12.0	16.0	1.0	JFM-081012-16	
8.0		10.0	14.0	10.0	1.0	JFM-081014-10	
8.0		10.0	16.0	11.0	2.0	JFM-081016-11	
8.0		12.0	16.0	6.0	2.0	JFM-0812-06	

³⁾ 按壓組裝後 測試方法 ▶ 頁碼 57

產品代碼

類型

尺寸 [mm]

J F M-0304-03

iglidur® 材質

型號 F

公制

內徑 - Ø d1

外徑 - Ø d2

長度 b1

i 尺寸符合 ISO 3547-1 標準
且提供特殊尺寸

inch 也可選用英制尺寸
▶ 見頁碼 1432

d1	d1- 公差 ³⁾	d2	d3 d13	b1 h13	b2 -0.14	產品型號	
8.0	+0.025 +0.083	12.0	16.0	9.0	2.0	JFM-0812-09	
10.0		12.0	18.0	5.0	1.0	JFM-1012-05	
10.0		12.0	18.0	7.0	1.0	JFM-1012-07	
10.0		12.0	18.0	9.0	1.0	JFM-1012-09	
10.0		12.0	18.0	10.0	1.0	JFM-1012-10	
10.0		12.0	18.0	12.0	1.0	JFM-1012-12	
10.0		12.0	18.0	15.0	1.0	JFM-1012-15	
10.0		12.0	18.0	17.0	1.0	JFM-1012-17	
10.0		12.0	18.0	18.0	1.0	JFM-1012-18	
10.0		12.0	15.0	3.5	1.0	JFM-101215-035	
10.0	+0.032	14.0	17.5	14.0	1.0	JFM-1014-14	
11.0		13.0	18.0	5.0	1.0	JFM-1113-05	
12.0		14.0	20.0	4.0	1.0	JFM-1214-04	
12.0		14.0	20.0	5.0	1.0	JFM-1214-05	
12.0		14.0	20.0	7.0	1.0	JFM-1214-07	
12.0		14.0	20.0	9.0	1.0	JFM-1214-09	
12.0		+0.102	14.0	20.0	12.0	1.0	JFM-1214-12
12.0		14.0	20.0	15.0	1.0	JFM-1214-15	
12.0		14.0	20.0	17.0	1.0	JFM-1214-17	
12.0		14.0	18.0	4.5	1.0	JFM-121418-045	
12.0	+0.050 +0.160	14.0	18.0	10.0	1.0	JFM-121418-10	
12.0		18.0	24.0	8.0	3.0	JFM-1218-08	
12.0		18.0	24.0	12.0	3.0	JFM-1218-12	
12.0		18.0	22.0	20.0	3.0	JFM-1218-20	
14.0	+0.032	16.0	22.0	3.0	1.0	JFM-1416-03	
14.0		16.0	22.0	10.0	1.0	JFM-1416-10	
14.0		+0.102	16.0	22.0	12.0	1.0	JFM-1416-12
14.0		16.0	22.0	17.0	1.0	JFM-1416-17	

尺寸 [mm]

d1	d1- 公差 ³⁾	d2	d3 d13	b1 h13	b2 -0.14	產品型號
14.0		18.0	22.0	20.0	2.0	JFM-141822-20
14.0		18.0	25.0	24.0	2.0	JFM-141825-24
15.0	+0.032	17.0	23.0	4.0	1.0	JFM-1517-04
15.0		17.0	23.0	5.5	1.0	JFM-1517-055
15.0	+0.102	17.0	23.0	9.0	1.0	JFM-1517-09
15.0		17.0	23.0	12.0	1.0	JFM-1517-12
15.0		17.0	23.0	17.0	1.0	JFM-1517-17
15.0	+0.050	21.0	27.0	20.0	3.0	JFM-1521-20
15.0	+0.160					
16.0		18.0	24.0	6.0	1.0	JFM-1618-06
16.0	+0.032	18.0	24.0	12.0	1.0	JFM-1618-12
16.0	+0.102	18.0	24.0	16.0	1.0	JFM-1618-16
16.0		18.0	24.0	17.0	1.0	JFM-1618-17
16.0	+0.050	22.0	28.0	12.0	3.0	JFM-1622-12
16.0	+0.160					
17.0		19.0	25.0	9.0	1.0	JFM-1719-09
17.0		19.0	25.0	21.0	1.0	JFM-1719-21
18.0		20.0	26.0	4.0	1.0	JFM-1820-04
18.0	+0.032	20.0	26.0	12.0	1.0	JFM-1820-12
18.0		+0.102				
18.0		20.0	26.0	22.0	1.0	JFM-1820-22
18.0		21.0	25.0	12.0	1.0	JFM-1821-12
19.0		22.0	26.0	23.0	1.0	JFM-1922-23
19.0		22.0	26.0	36.0	1.0	JFM-1922-36
20.0		23.0	30.0	11.5	1.5	JFM-2023-11
20.0	+0.040	23.0	30.0	15.5	1.5	JFM-2023-15.5
20.0	+0.124	23.0	30.0	16.5	1.5	JFM-2023-16
20.0		23.0	30.0	21.5	1.5	JFM-2023-21
20.0	+0.065	26.0	32.0	15.0	3.0	JFM-2026-15
20.0		+0.195				
20.0		26.0	32.0	20.0	3.0	JFM-2026-20
20.0		26.0	32.0	25.0	3.0	JFM-2026-25
22.0		25.0	32.0	8.0	1.5	JFM-222532-08
24.0	+0.040	30.0	36.0	30.0	3.0	JFM-2430-30
25.0		+0.124				
25.0		28.0	35.0	6.0	1.5	JFM-2528-06
25.0		28.0	35.0	11.5	1.5	JFM-2528-11
25.0		28.0	35.0	12.0	1.5	JFM-2528-12

d1	d1- 公差 ³⁾	d2	d3 d13	b1 h13	b2 -0.14	產品型號
25.0		28.0	35.0	14.5	1.5	JFM-2528-14.5
25.0	+0.040	28.0	35.0	21.5	1.5	JFM-2528-21
25.0	+0.124	28.0	39.0	5.0	1.5	JFM-252839-05
25.0		28.0	39.0	7.5	1.5	JFM-252839-075
25.0	+0.065	32.0	38.0	20.0	4.0	JFM-2532-20
25.0		+0.195				
25.0		32.0	38.0	25.0	4.0	JFM-2532-25
28.0		32.0	35.0	7.0	2.0	JFM-283235-07
28.0		32.0	39.0	20.0	2.0	JFM-283239-20
30.0	+0.040	32.0	40.0	12.0	1.0	JFM-303240-12
30.0		+0.124				
30.0		34.0	42.0	16.0	2.0	JFM-3034-16
30.0		34.0	42.0	20.0	2.0	JFM-3034-20
30.0		34.0	42.0	26.0	2.0	JFM-3034-26
30.0	+0.080	38.0	44.0	20.0	4.0	JFM-3038-20
30.0	+0.240					
30.0	+0.065	38.0	44.0	30.0	4.0	JFM-3038-30
30.0	+0.195	38.0	44.0	36.0	4.0	JFM-3038-36
35.0		39.0	47.0	12.0	2.0	JFM-3539-12
35.0		39.0	47.0	16.0	2.0	JFM-3539-16
35.0		39.0	47.0	26.0	2.0	JFM-3539-26
40.0		44.0	52.0	20.0	2.0	JFM-4044-20
40.0	+0.050	44.0	52.0	30.0	2.0	JFM-4044-30
40.0		+0.150				
40.0		44.0	52.0	40.0	2.0	JFM-4044-40
45.0		50.0	58.0	12.0	2.0	JFM-4550-12
45.0		50.0	58.0	20.0	2.0	JFM-4550-20
45.0		50.0	58.0	50.0	2.0	JFM-4550-50
50.0		55.0	63.0	11.5	2.0	JFM-5055-115
50.0		55.0	63.0	50.0	2.0	JFM-5055-50
55.0		60.0	68.0	50.0	2.0	JFM-5560-50
60.0	+0.060	65.0	73.0	37.0	2.0	JFM-6065-37
60.0		+0.180				
60.0		65.0	73.0	50.0	2.0	JFM-6065-50
65.0		70.0	78.0	60.0	2.0	JFM-6570-60
70.0		75.0	83.0	50.0	2.0	JFM-7075-50
90.0		95.0	103.0	100.0	2.5	JFM-9095-100
100.0	+0.072	105.0	113.0	100.0	2.5	JFM-100105-100
110.0	+0.212	115.0	123.0	100.0	2.5	JFM-110115-100
120.0		125.0	133.0	100.0	2.5	JFM-120125-100

³⁾ 按壓組裝後 測試方法 ▶ 頁碼 57



沒有找到您要的尺寸？

您是否需要其他長度、尺寸或公差？您在尋找一個特殊的設計或取代您應用的其他解決方案？請與我們聯絡。易格斯傾聽您的需求，並在短時間內迅速為您提供解決方案。



更多尺寸可現貨供應

超過 300 個尺寸可供選擇。線上搜尋您所需的軸承。

▶ www.igus.com.tw/iglidur-specialbearings

150 線上工具及更多相關資訊 ▶ www.igus.com.tw/j